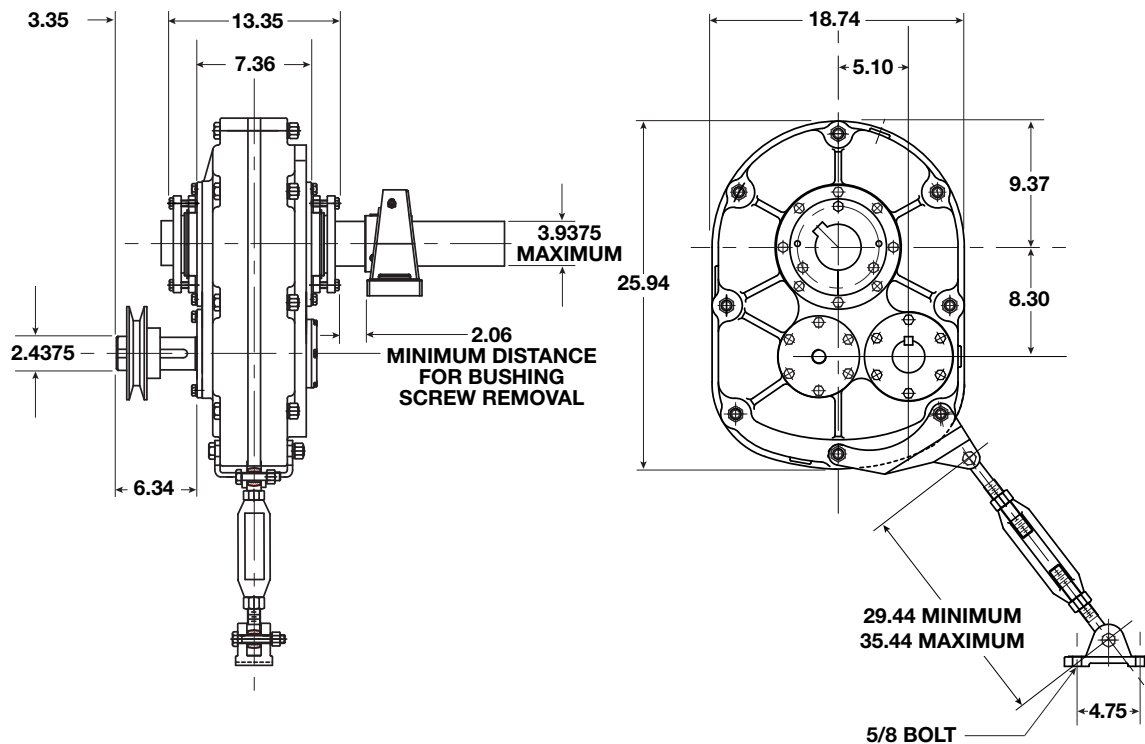




VXT7 XD Dimensions

All dimensions listed in inches



Output Hub Tapered Bushings (Other bushing sizes available by special order)

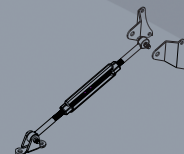
Bushing Kit Number (bore diameter)	Shaft Keyseat Required (inches)	Weight (lbs)
XBK7 2-7/16*	5/8 x 5/16 x 11-27/32	24.2
XBK7 2-11/16*	5/8 x 5/16 x 11-27/32	23.0
XBK7 2-15/16*	3/4 x 3/8 x 11-27/32	21.3
XBK7 3*	3/4 x 3/8 x 11-27/32	20.1
XBK7 3-3/16*	3/4 x 3/8 x 11-27/32	19.2
XBK7 3-7/16	7/8 x 7/16 x 11-27/32	16.9
XBK7 3-15/16	1 x 1/2 x 11-27/32	13.8

*Check the driven shaft and key for adequate load capacity.

XD Style Speed Reducer (AGMA Size 315)

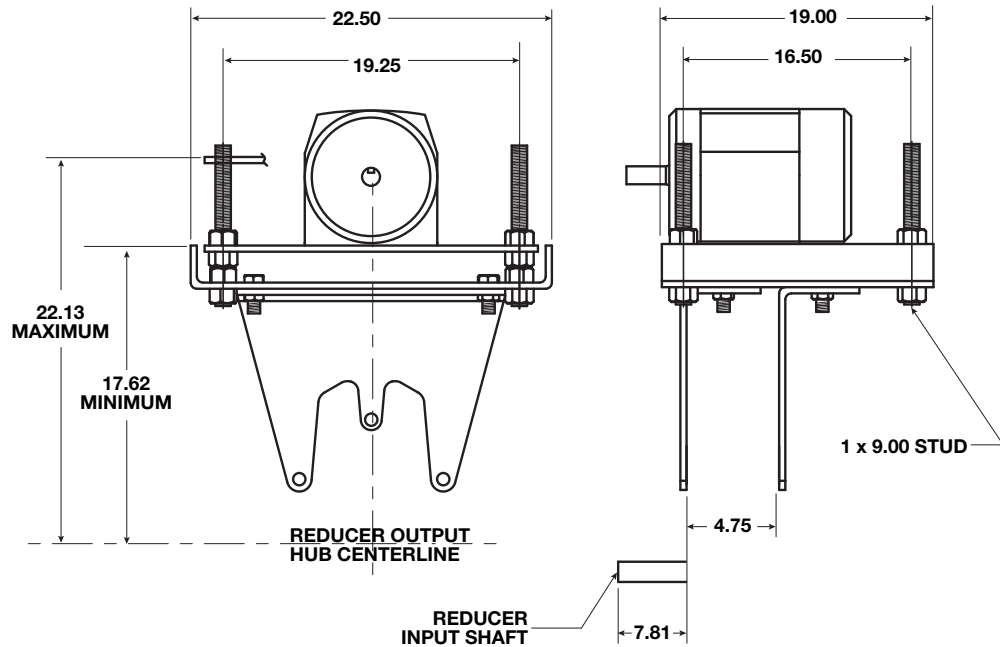
Reducer Unit	Exact Ratio	Maximum Output RPM	Weight (lbs)
VXT715 XD	15.41:1	120	389.0
VXT725 XD	25.35:1	75	389.0

Included Torque Arm



Torque Arm Kit Number	Weight (lbs)
7TA	37.0

VXT7 XD Accessories



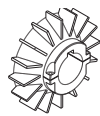
Motor Mount Kit Number	NEMA Motor Frame	Weight (lbs)
7MMA	143T-365T	110.0

V-Belt Center Distance for NEMA Frame Motors							
	140	180	210	250	280	320	360
Minimum	30.6	31.6	32.4	33.4	34.1	35.1	36.1
Maximum	34.4	35.4	36.2	37.2	37.9	38.9	40.0



Backstop

7BKS



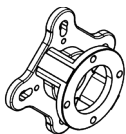
Cooling Fan Kit

7CFK



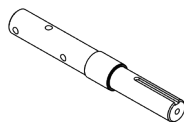
Component Replacement Repair Kit

7RK



Screw Conveyor Flange

Not Available



Screw Conveyor Drive Shaft

Not Available

Output Shaft Diameter Options (in)

Not Available



Screw Conveyor Shaft Removal Wedge

Not Available